

Xicato®

Curtain Backlighting

Xicato designs and develops light sources and electronics that enable architects, designers and building managers to create beautiful, smart spaces in which people love to live and work. With thousands of installations around the globe, Xicato continues to be a leading supplier of high quality lighting solutions. Xicato is defining the future of intelligent light sources by integrating electronics, software and connectivity. Founded in 2007, Xicato's headquarters is based in Silicon Valley and the company has offices in China, Europe and the US.

For further information, visit xicato.com.



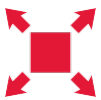
Xicato Curtain Backlighting

Designed to meet the dual requirements of cost-efficient large format lighting and high brightness levels, offers bright, even illumination with an energy-efficient design for interior spaces or large format graphic backlighting.

Available in 25W and 66W options.



Key Features and Benefits



Premium Option for Large Format

Forward facing with an optically clear lens, it has a super wide beam angle of 170° making it the best option for large-format lighting. LEDs are 2-Step Macadam for uniformity.



Super bright and even light quality

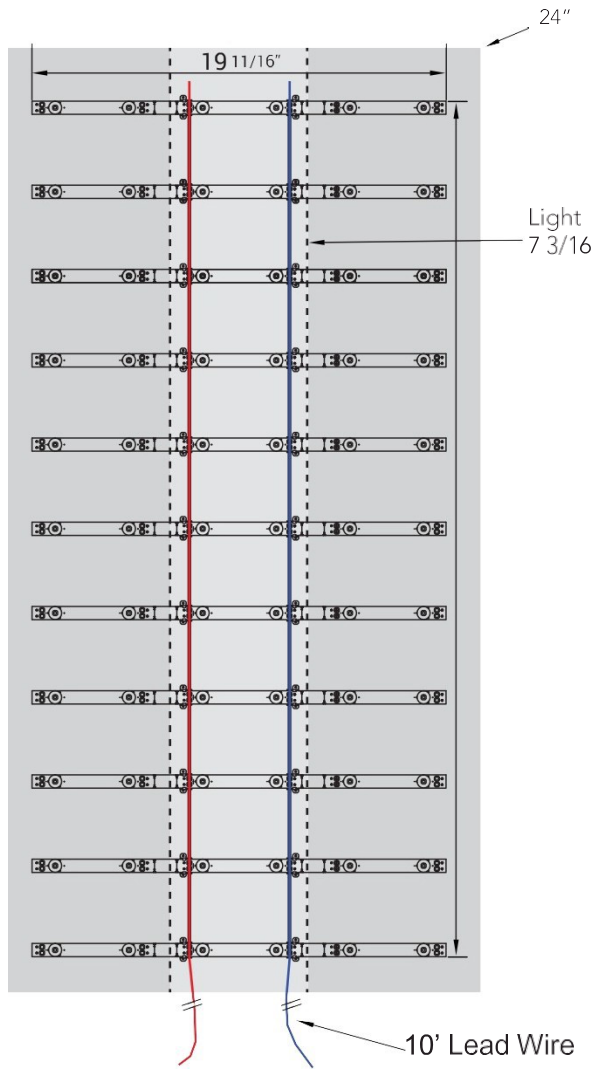
Designed to deliver cost-efficiency and high brightness levels in large format lighting.



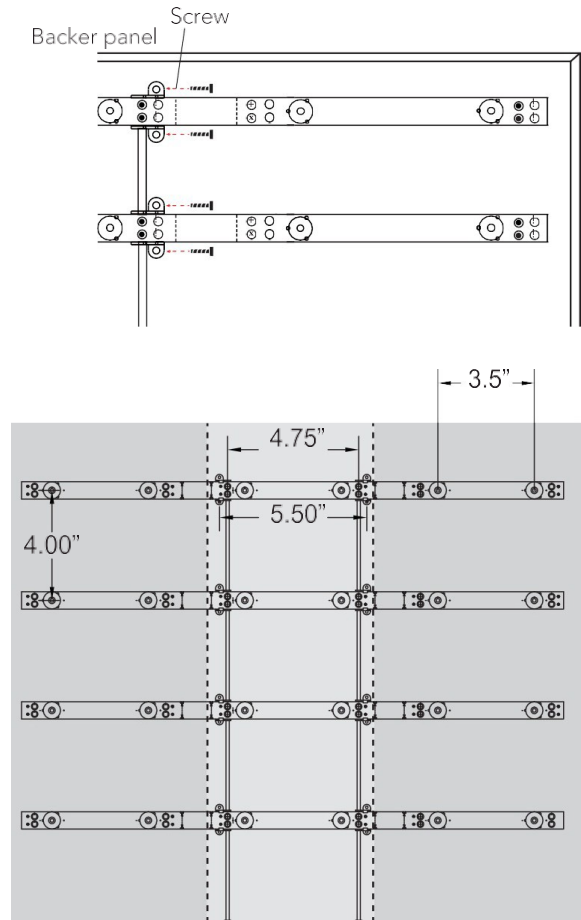
Customization options

It is sold in lengths of 20" affording ease-of-installation with the correct wiring tension for suspended applications. Various CCTs available.

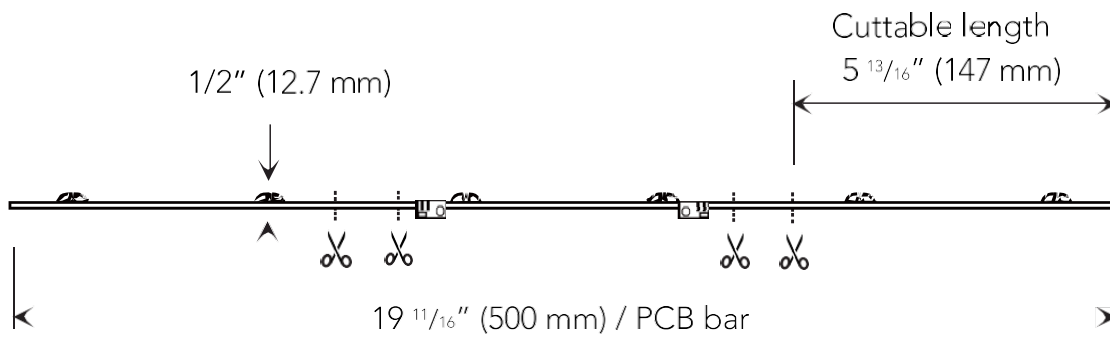
Front View



Mounting Bracket



Profile View



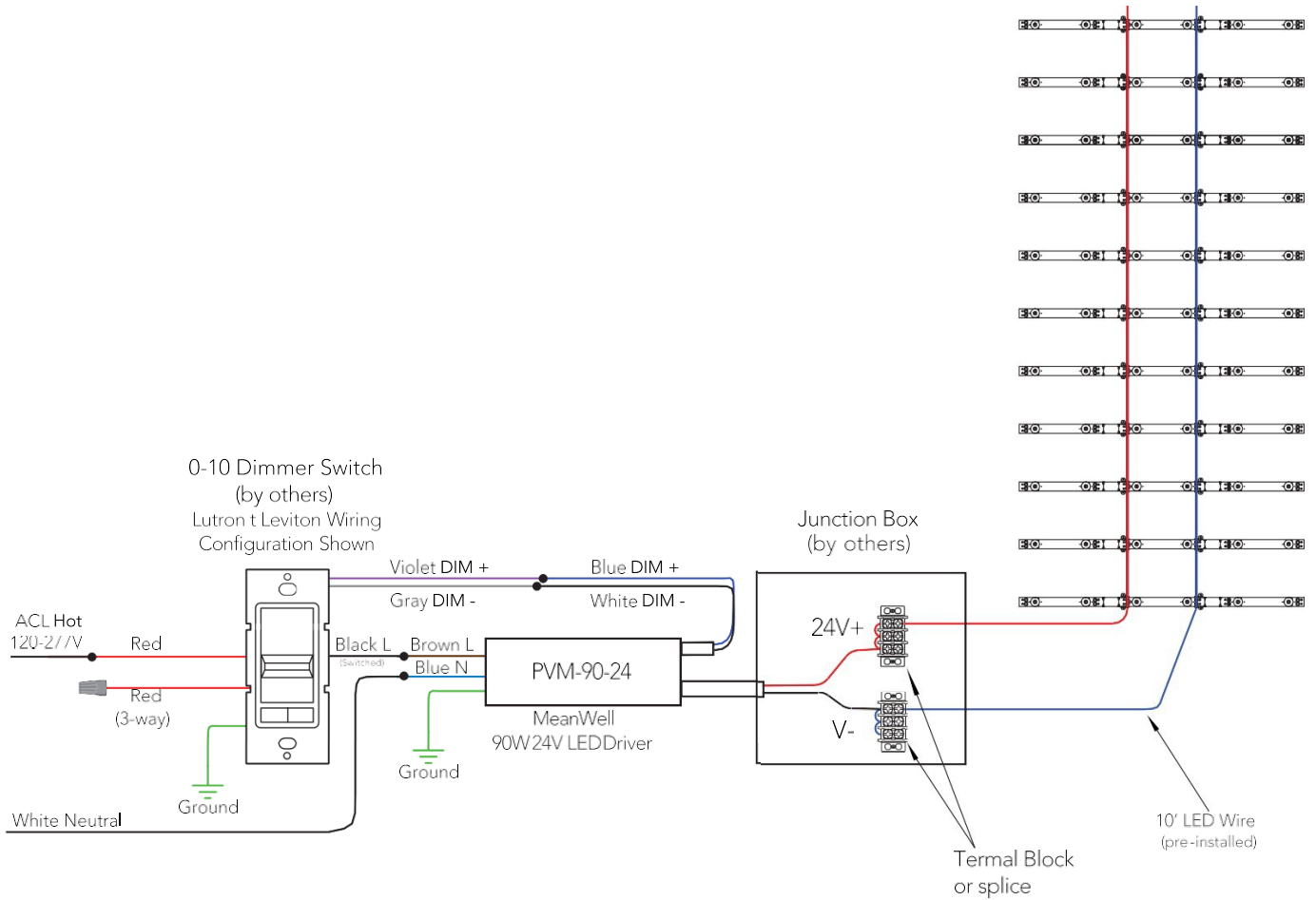
Specifications

Product Details	
Part Number	XCB-6.0W-4000K-14B
Beam Angle	170° optically clear lens
Operating Temperature	-30 °C (-22 °F) ~ +40 °C (+104 °F)
Storage Temperature	-30 °C (-22 °F) ~ +40 °C (+104 °F)
Environment	Dry Location Only (standard)
Cutable Length	5 13/16" (147 mm)
Total Luminous Flux	66W: 5940 lm 25W: 2250 lm
Luminous Efficiency	≥ 90 lm / W
CRI	Ra ≥ 90
Dimensions	19 11/16" (500 mm) L x 21/32" (16.8 mm) W x 1/2" (12.7 mm) H 6 LEDs /PCB bar
Wattage (2' x 4' assembly)	66W: 66 Watts (11 modules, 6W each) 25 W: 25 Watts (11 modules 2.3W each)
Connecting Cable	14 AWG - custom lengths and distances between modules available
Pigtail	10' standard length, custom lengths available; plug and play with barrel connector or hardwire options available

Electrical	
Input Voltage	24V DC
Input Current	25W: 0.0946A per module, 1.042A per assembly 66W: 0.25 Amps per module, 2.75 Amps per assembly
Power Consumption	25W: 2.3 W per module, 11 modules per panel 66W: 6 W per module, 11 modules per panel
Plenum Rated Cable	Standard, other cable types available if needed
Certificataion	UL listed
Connecting Cable	14 AWG - custom lengths and distances between modules available
Pigtail	10' standard length, custom lengths available; plug and play with barrel connector or hardwire options available

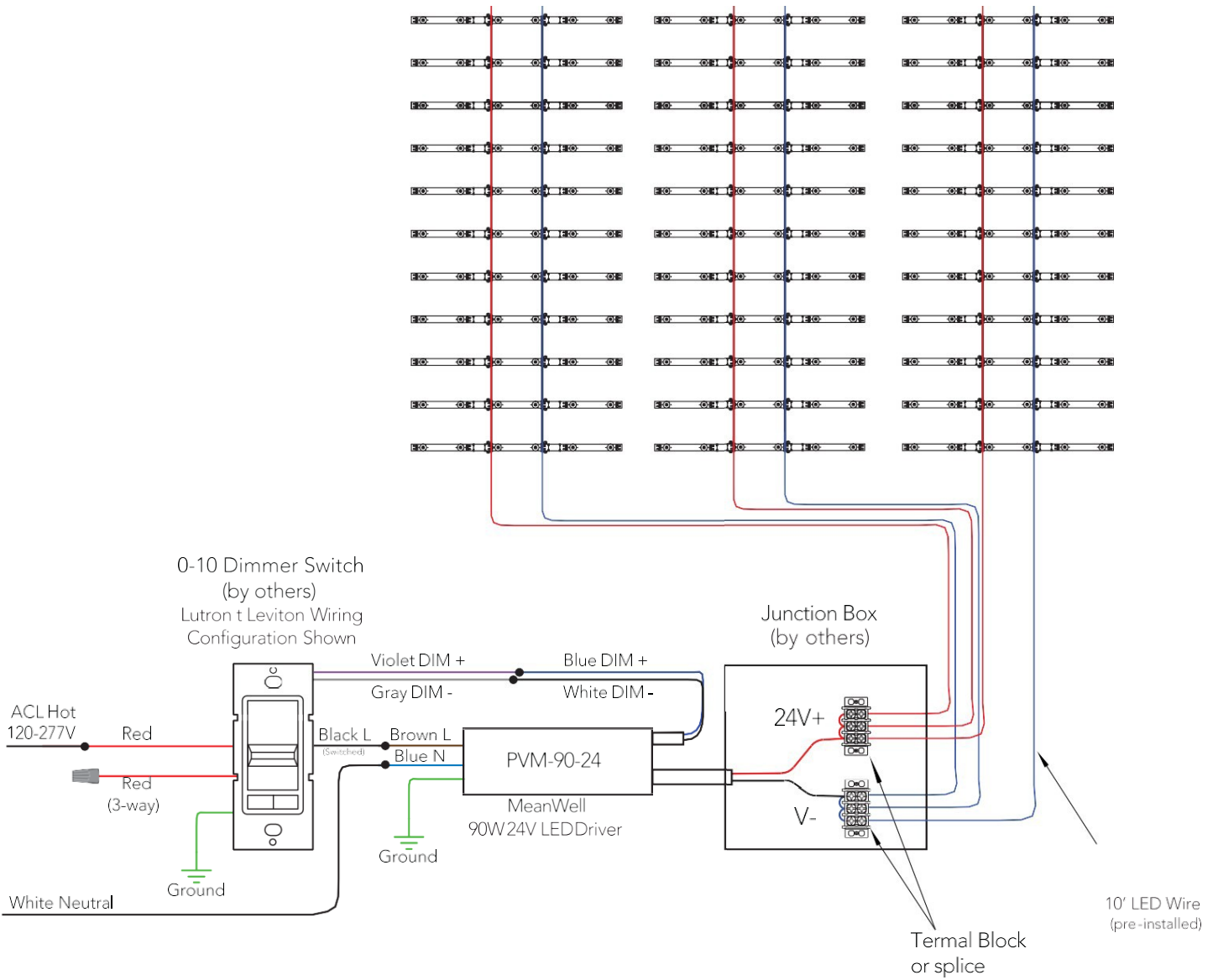
Wiring Diagram - 66 W-CLASS 2

Class 2 Wiring Diagram Example.
(1) 66W Assembly wired to 90W LED Driver



Wiring Diagram - 75 W-CLASS 2

Class 2 Wiring Diagram Example.
 (3) 25W assemblies wired to a single 90W LED Driver.





Xicato Global Headquarters

102 Cooper Court,
Los Gatos, CA 95032

Contact Us

Tel: +1 866 223 8395
info@xicato.com